

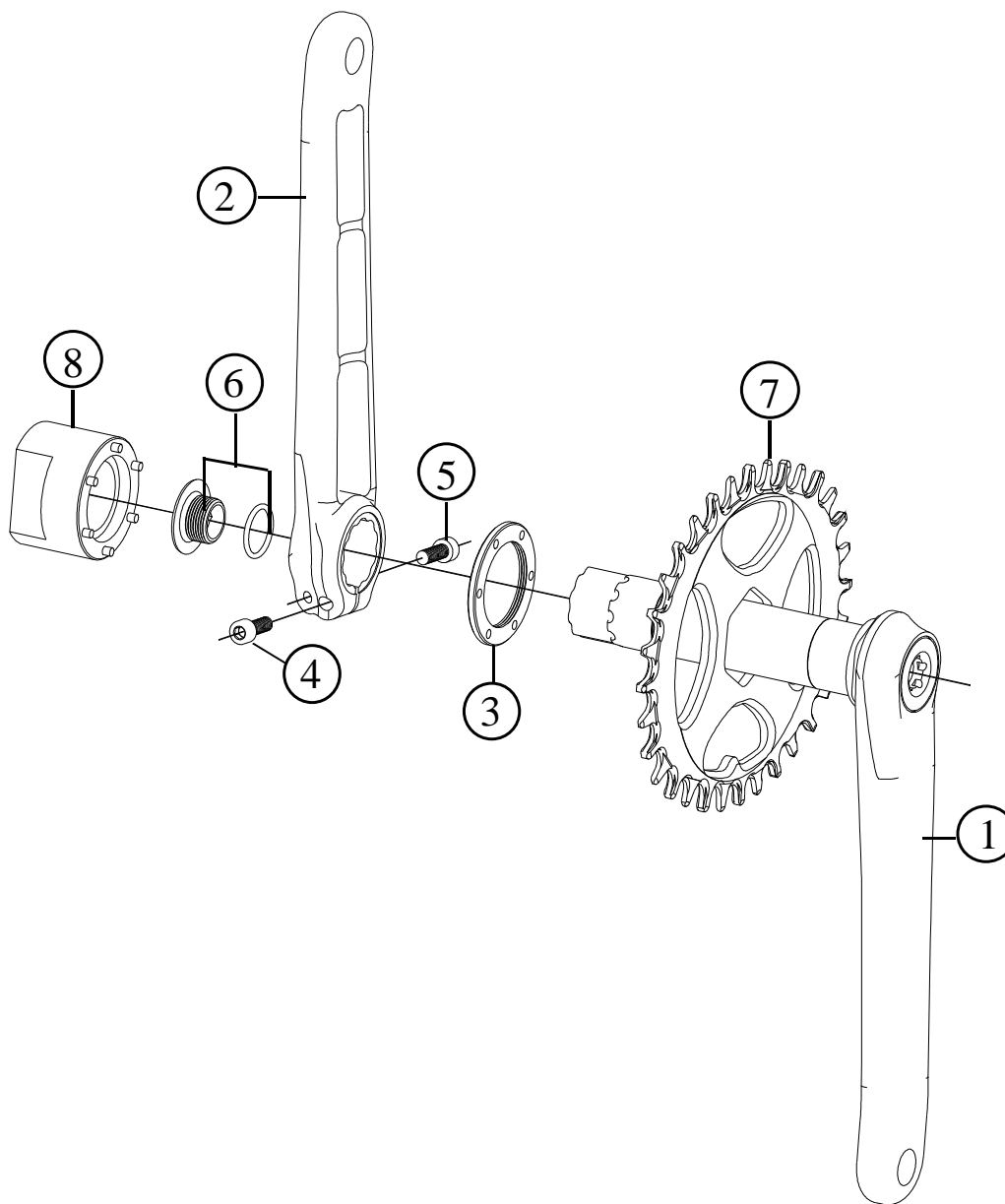


Feb. 2016

SPARE PART
MANUAL
&
PRICE LIST

Front Crankset for MTB
CU3-M11 NS Boost
CU3-WT NS Boost

2016

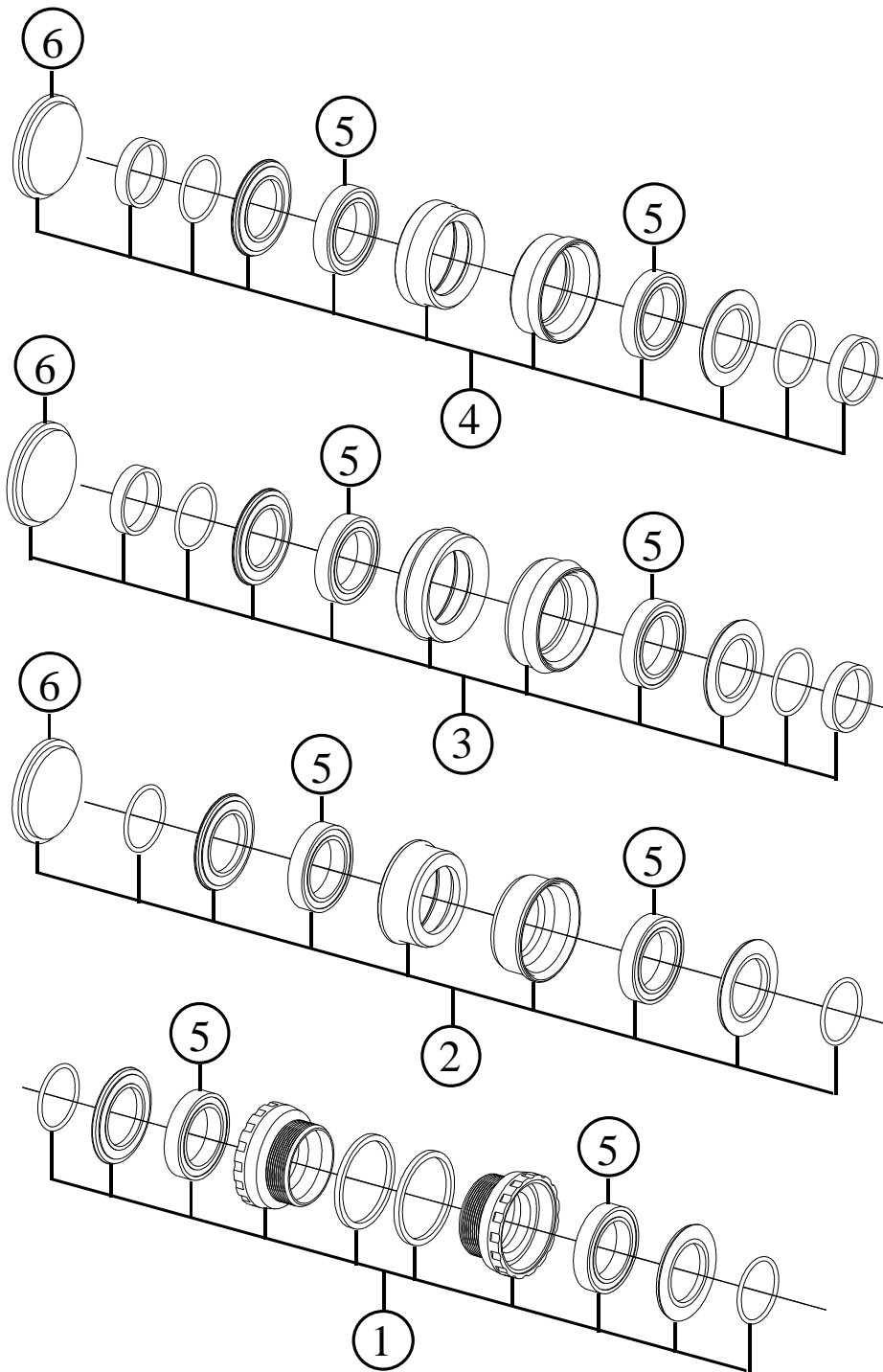


Item no.	Code	DESCRIPTION	Price €
1	CU3RCA	Integral Right Arm with 25mm Axle. 170-172,5-175 mm – Black Hard Anodised	180,0
2	CU3LCA	Integral Left Arm with 25mm Axle. 170-172,5-175 mm - Black Hard Anodised	120,0
1	CUWTRCA	Integral Right Arm with 25mm Axle. WT 172,5 mm – Black Hard Anodised	180,0
2	CUWTLCA	Integral Left Arm with 25mm Axle. WT 172,5 mm - Black Hard Anodised	120,0
3	CU006	Lock Ring	6,0
4-5	TIM5X12+TIM5X15	Allen bolt M5 x 12 + M5 x 15 / Titanium - Gold Plated	Set of 2 15,0 set
6	CU18R	Bolt for Play Adjustment. (Red ano.)+O-Ring 2056 (I.D. 14x1,78mm)	8,0
6	CU18N	Bolt for Play Adjustment. (Black ano.)+O-Ring 2056 (I.D. 14x1,78mm)	8,0
7	CBNSNC1	30T N-C Power NS BOOST Chainring. Black Anodised	99,0
7	CBNSNC2	32T N-C Power NS BOOST Chainring. Black Anodised	99,0
7	CBNSNC3	34T N-C Power NS BOOST Chainring. Black Anodised	99,0
8	CSNS25	Tool to disassemble the NS chainring – Axle 25mm	24,0

Specifications are subject to change without notice

Bottom Brackets
BOTTOM BRACKETS for CU3

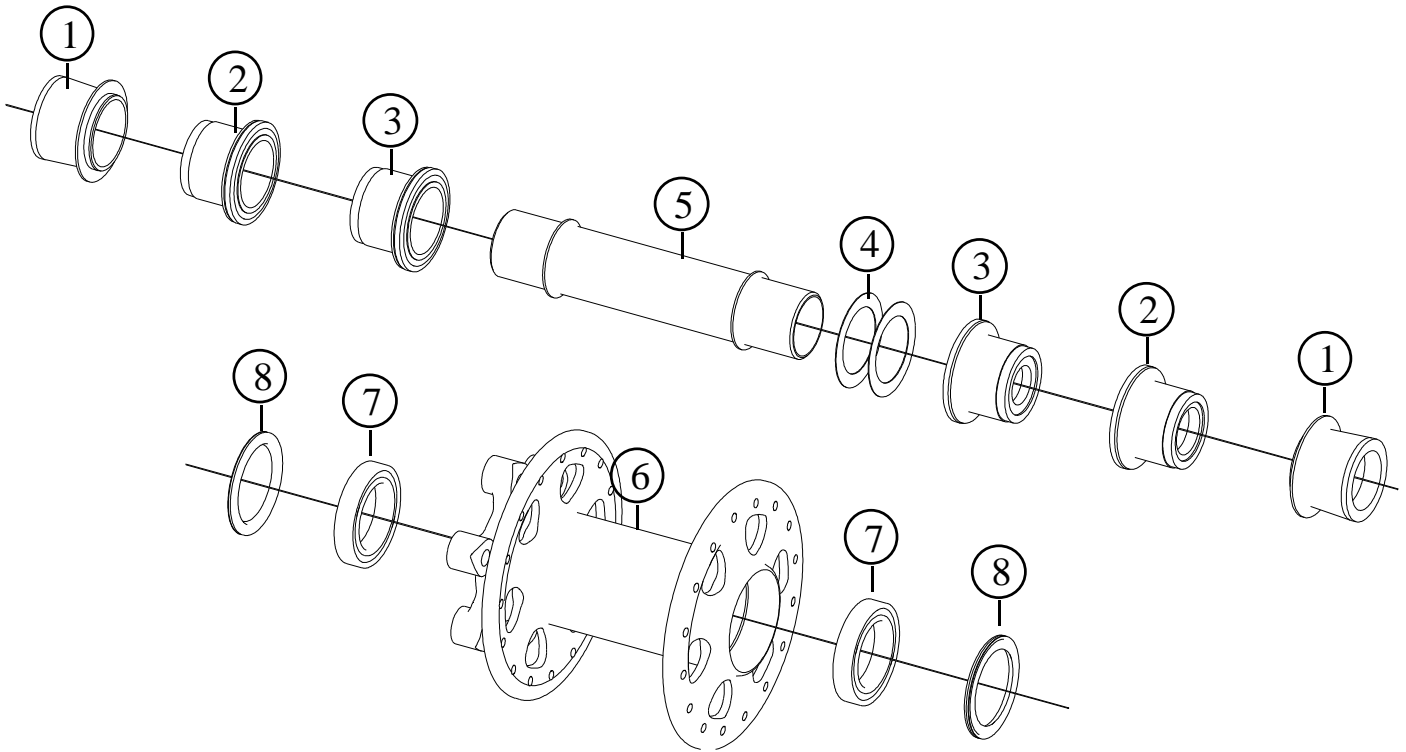
2016



Item no.	Code	DESCRIPTION	Price €
1	CSBB001	BSA Bottom Bracket Kit including Cups, Bearings, Spacers (for 68 or 73mm Shells)	93,0
2	CSBB003	Press-Fit Bottom Bracket Kit including Cups, Bearings, Spacers (for 89,5 or 93mm Shells)	93,0
3	CSBB004	Press-Fit 30 Bottom Bracket Kit including Cups, Bearings, Spacers (for 73mm Shells)	93,0
4	CSBB002	BB 30 Bottom Bracket Kit including Cups, Bearings, Spacers (for 73 or 84,5mm Shells)	93,0
5	NAC6805	Nachi Bearing (Double Seal) 25 x 37 x 7mm	2 pcs 20,9 /pc
6	BBPT	Press-Tool to install pressed cups into frames	3,0

Specifications are subject to change without notice

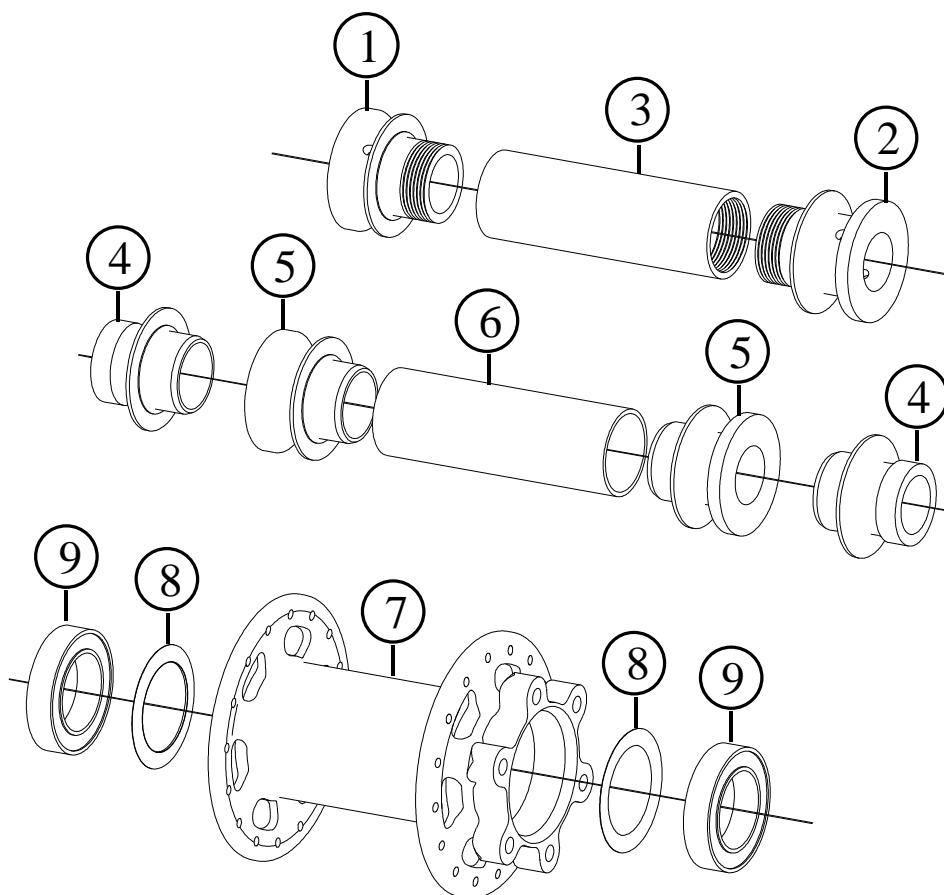
2016



Item no.	Code	DESCRIPTION		Price €
1	FHVT A15	Axle Cap End for QR15 Forks. Compatible with Lip Seals/ Light Alloy	Set of 2pcs	22,0 set
2	FHVT A12	Axle Cap End for QR12 Road Forks. Compatible with Lip Seals/ Light Alloy	Set of 2pcs	22,0 set
3	FHVT A09	Axle Cap End for 9mm Through-Axle Q. R. Compatible with Lip Seals/ Light Alloy.	Set of 2pcs	22,0 set
4	SW1724015	Steel washer: 17 x 24 x 0,15mm	Set of 10pcs	1,0 set
5	FHURAX	Axle dia. 17mm. Light Alloy. Hard Anodised		25,0
6	FHM28	Meteor Hub Body /Alloy. 28H		75,0
6	FHM32	Meteor Hub Body /Alloy. 32H		75,0
7	BB61803	Bearing Enduro 17 x 26 x 5mm ABEC5 61803 2RS	2pcs	11,0 /pc
8	SE1952615VC	Rubber Lip Seal 19,5 x 26 x 1,5mm	Set of 2pcs	3,40 set

Specifications are subject to change without notice

2016

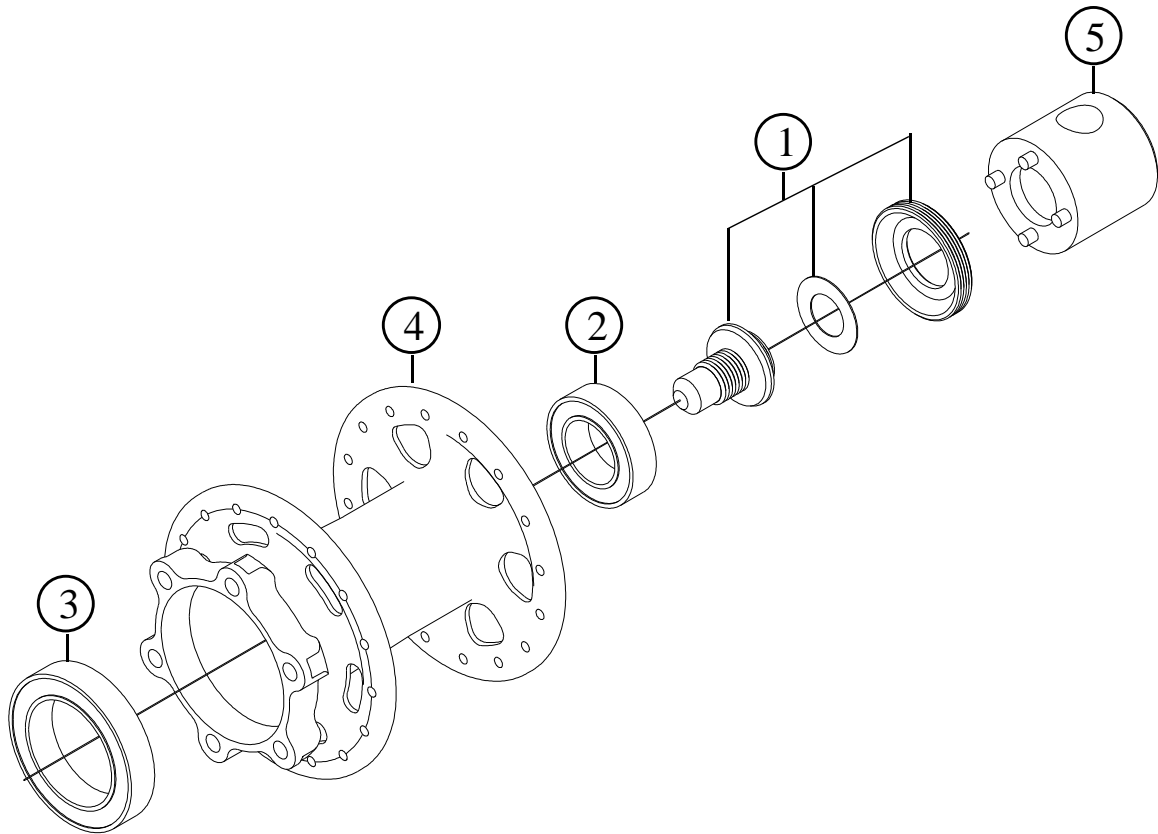


Item no.	Code	DESCRIPTION	Price €
1-2	FHBTARS	Right & Left Axle Cap for 15x110 RS-1 Rock Shox forks. Light Alloy	Set of 2pcs 22,0 set
3	FHRS1ISP	RS-1 Hub Spacer 67mm (threaded). Light Alloy	8,0
4	FHBTA21	Axle Cap for 15x110 21mm Fox Boost forks. Light Alloy	Set of 2pcs 22,0 set
5	FHBTA31	Axle Cap for 15x110 31mm Rock Shox Boost forks. Light Alloy	Set of 2pcs 22,0 set
6	FHBISP	Boost 110 Hub Spacer 67mm. Light Alloy	8,0
7	FHMB28	Meteor 110 Hub Body /Alloy. 28H	80,0
7	FHMB32	Meteor 110 Hub Body /Alloy. 32H	80,0
8	SW3172301	Butted Steel Shim for bearing play adjustment 31.7x23x0,1mm	Set of 10pcs 1,0 set
9	BB61804	Bearing Enduro 20 x 32 x 7mm ABEC5 61803 2RS	2pcs 12,9 /pc

Specifications are subject to change without notice

Front Hub for Cannondale
LEFTY - LEFTY SUPER MAX

2016

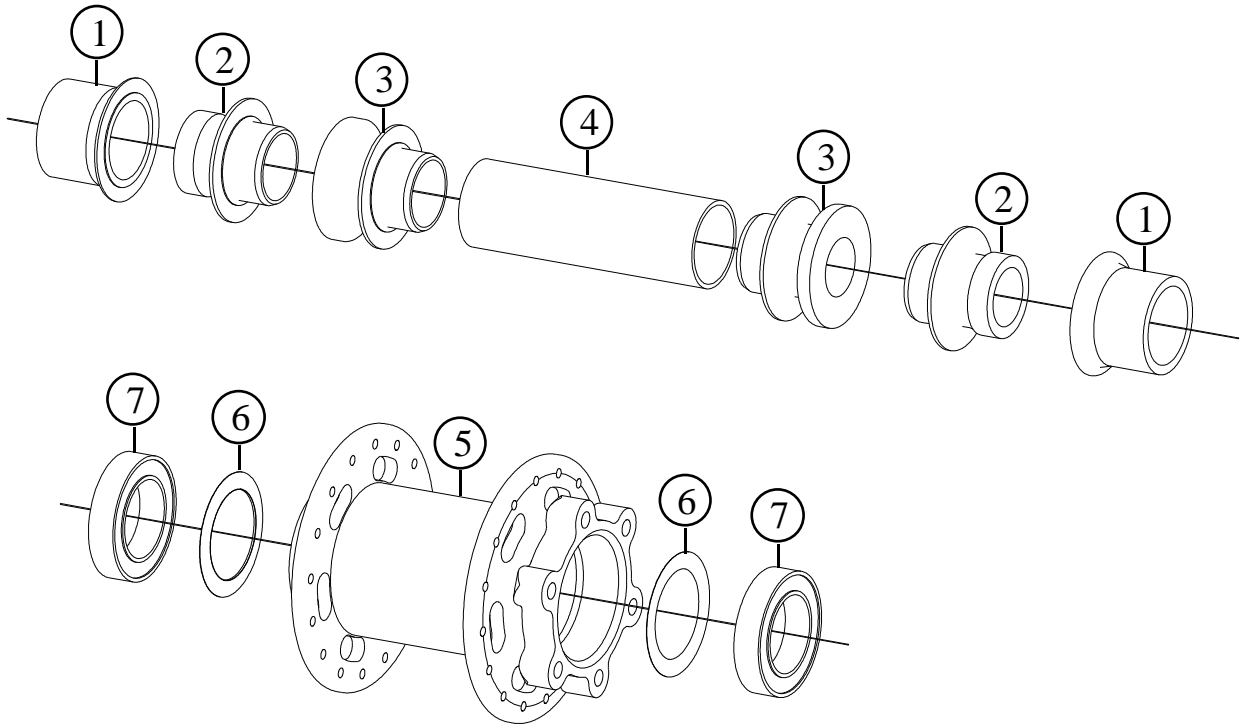


Item no.	Code	DESCRIPTION	Price €
1	FHVLFB	Lock-Ring, Fixing Bolt in light alloy + Melinex Washer	18,0
2	MR1526	Bearing Enduro 26 x 15 x 7mm ABEC5 MR1526 2RS	9,4
3	NAC6805	Bearing Nachi 25 x 37 x 7mm (Double Seal)	20,9
4	FHVSRL28	Hub Body Lefty / Alloy. 28H	85,0
4	FHVSRL32	Hub Body Lefty / Alloy. 32H	85,0
4	FHLSM28	Hub Body Lefty Super Max / Alloy. 28H	85,0
4	FHLSM32	Hub Body Lefty Super Max / Alloy. 32H	85,0
5	VSRLTOOL	Tool for Lock-Ring	24,00

Specifications are subject to change without notice

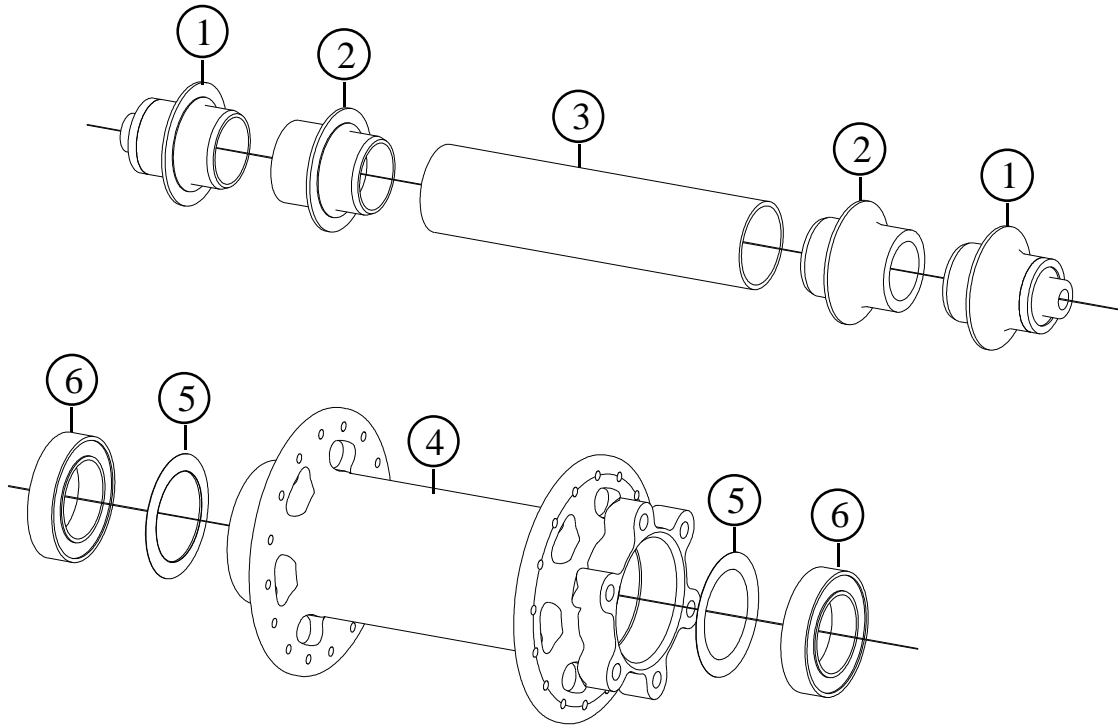
Front Hub for MTB
TITAN CARBON
(Enduro – Boost – DH)

2016



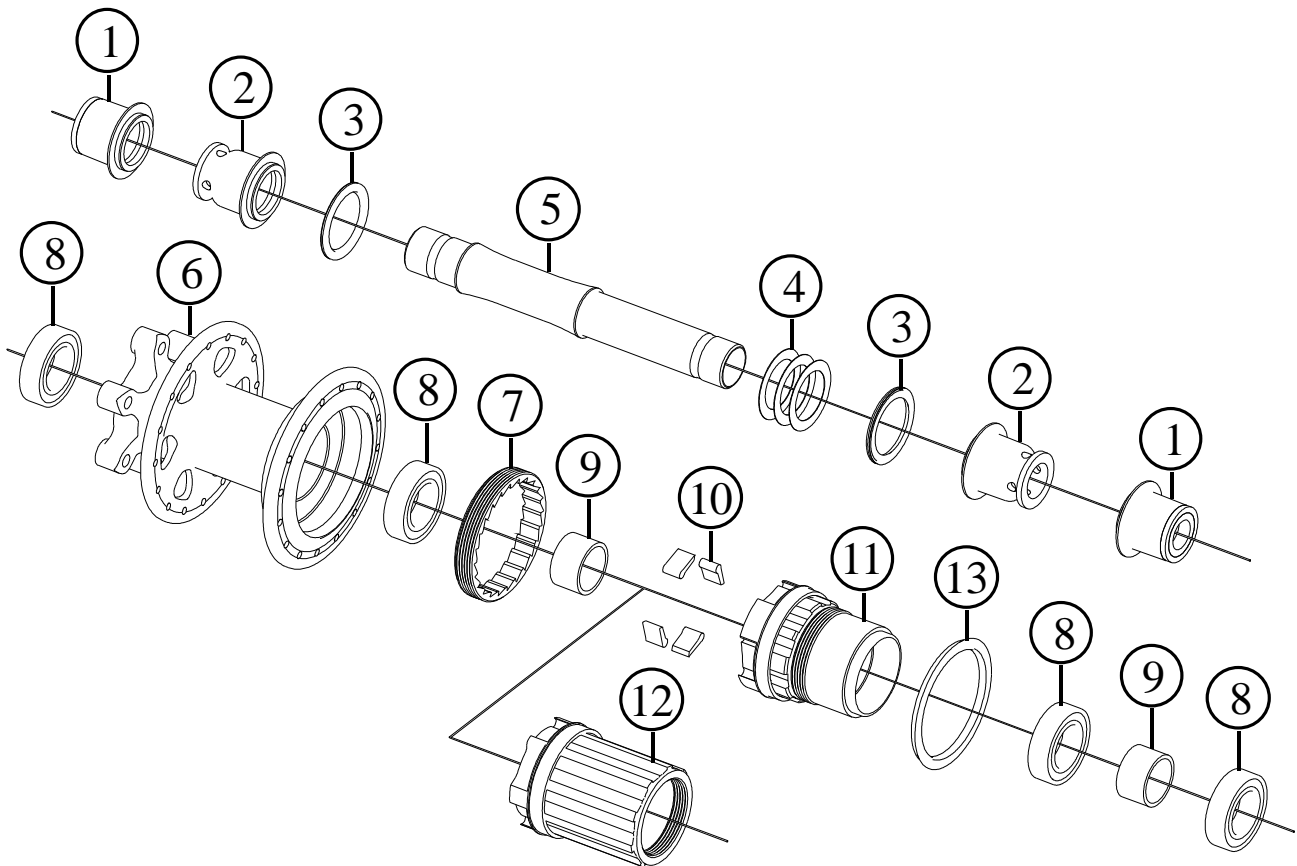
Item no.	Code	DESCRIPTION	Price €
1	FHTET20	Axle Cap End QR20 compatible with double-crown QR20 forks. Light Alloy	Set of 2pcs 22,0 set
2	FHBTA21	Axle Cap QR15 15x100mm. Light Alloy	Set of 2pcs 22,0 set
2	FHBTA21	Axle Cap QR15 15x110mm 21mm Fox Boost forks. Light Alloy	Set of 2pcs 22,0 set
3	FHBTA31	Axle Cap for 15x110 31mm Rock Shox Boost forks. Light Alloy	Set of 2pcs 22,0 set
4	FHBISP	Boost 110 Hub Spacer 67mm. Light Alloy	8,0
4	FHEISP	Enduro / DH Hub Spacer 57mm. Light Alloy	8,0
5	FHTE32	Titan Carbon Enduro Hub Body 32H	115,0
5	FHTEB32	Titan Carbon Enduro Boost 110 Hub Body 32H	120,0
5	FHDH32	Titan Carbon DH Hub Body 32H	120,0
6	SW3172301	Butted Steel Shim for bearing play adjustment 31.7x23x0,1mm	Set of 10pcs 1,0 set
7	BB61804	Bearing Enduro 20 x 32 x 7mm ABEC5 2RS	2pcs 12,9 /pc

Specifications are subject to change without notice



Item no.	Code	DESCRIPTION		Price €
1	FHTET09	Axle Cap End 5mm compatible with quick release forks. Light Alloy	Set of 2pcs	22,0 set
2	FHTET15	Axle Cap End QR15 compatible with QR15 forks. Light Alloy	Set of 2pcs	22,0 set
3	FHF135ISP	Fat 135 Hub Spacer 92mm. Light Alloy		8,0
3	FHF150ISP	Fat 150 Hub Spacer 107mm. Light Alloy		8,0
4	FHTF135	Titan Carbon Fat 135mm Hub Body. 32H		145,00
4	FHTF150	Titan Carbon Fat 150mm Hub Body. 32H		150,00
5	SW3172301	Butted Steel Shim for bearing play adjustment 31.7x23x0,1mm	Set of 10pcs	1,0 set
6	BB61804	Bearing Enduro 20 x 32 x 7mm ABEC5 2RS	2pcs	12,9 /pc

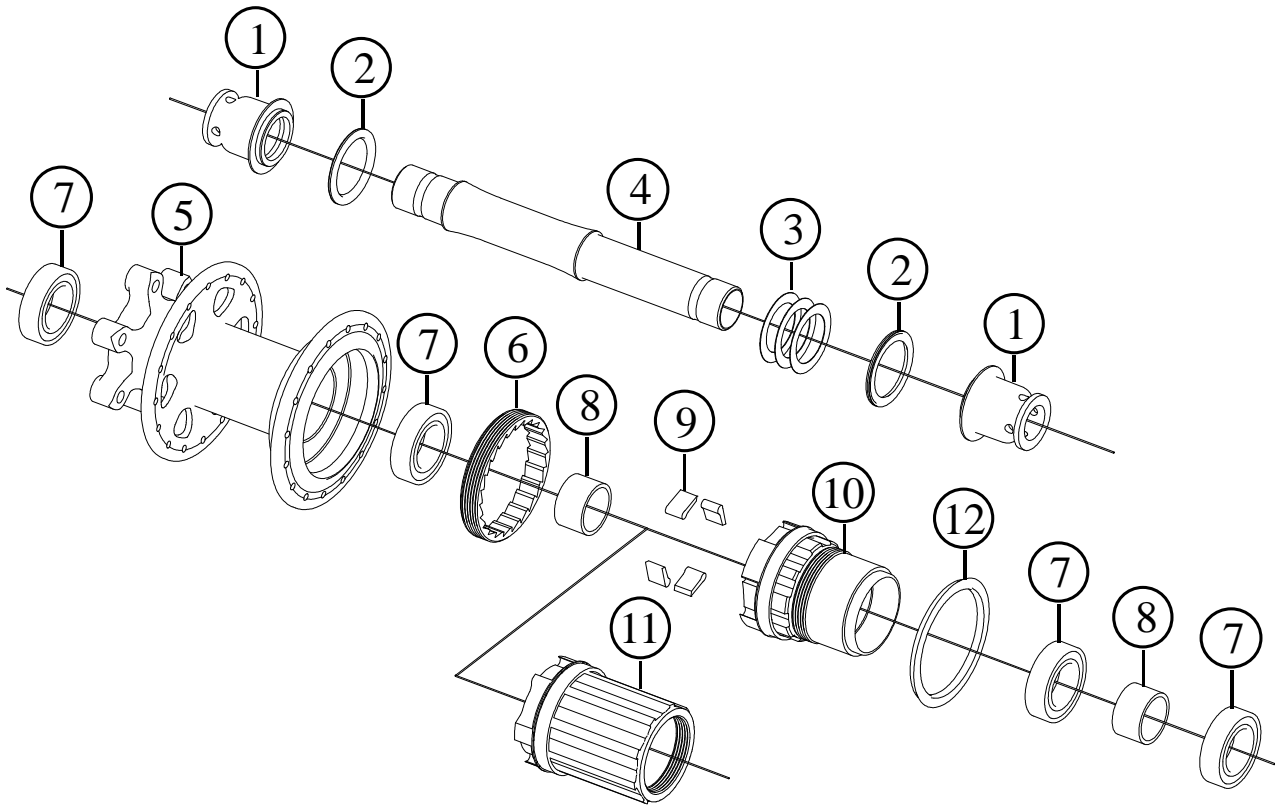
2016



Item no.	Code	DESCRIPTION	Price €
1	RHTET10	Axle Cap Ends for 10mm Through-Axle Quick R. L&R. Compatible with Lip Seals	Set of 2 pcs 22,0 set
2	RHTET12	Axle Cap Ends X12 (142 x12mm). L&R. Compatible with Lip Seals.	Set of 2 pcs 22,0 set
3	SE1952615VC	Rubber Lip Seal 19,5 x 26 x 1,5mm	Set of 2 pcs 3,40 set
4	SW1521015	Steel washer: 15 x 21 x 0,15mm	Set of 10 pcs 1,0 set
5	RHMRAX	Axle dia. 15mm for 10x135 or 12x142 Frames. Length 123mm. Light Alloy. Hard Anodised	30,0
6	RHM28	Meteor Hub Body /Alloy 28H	85,0
6	RHM32	Meteor Hub Body /Alloy 32H	85,0
7	RHURTITR	Teethed Ring in Titanium	45,0
8	MR1526	Enduro Bearing 15 x 26 x 7mm ABEC5 61803 2RS	4pcs 9,4 /pc
9	RHVRFPS	Freewheel Spacers 15 x 17,7 x 10,5mm / Light Alloy	Set of 2 pcs 4,0
9	RHVRFWP	Freewheel Big Pawls in High Steel + Coil Spring	Set of 4 pcs 20,0 set
11	GUBPXX1	Big Pawl Freewheel Body for Sram XD 11s cassettes. Light Alloy	35,0
12	GUBP10S	Big Pawl Freewheel Body for 9-10-11s MTB Shimano cassettes . Light Alloy	35,0
12	GUBP11R	Big Pawl Freewheel Body for 10-11s road Shimano/ Sram cassettes . Light Alloy	35,0
13	SE3744525VG	Rubber Lip Seal SE 37 x 44,5 x 2,5 VG	4,0

Specifications are subject to change without notice

2016

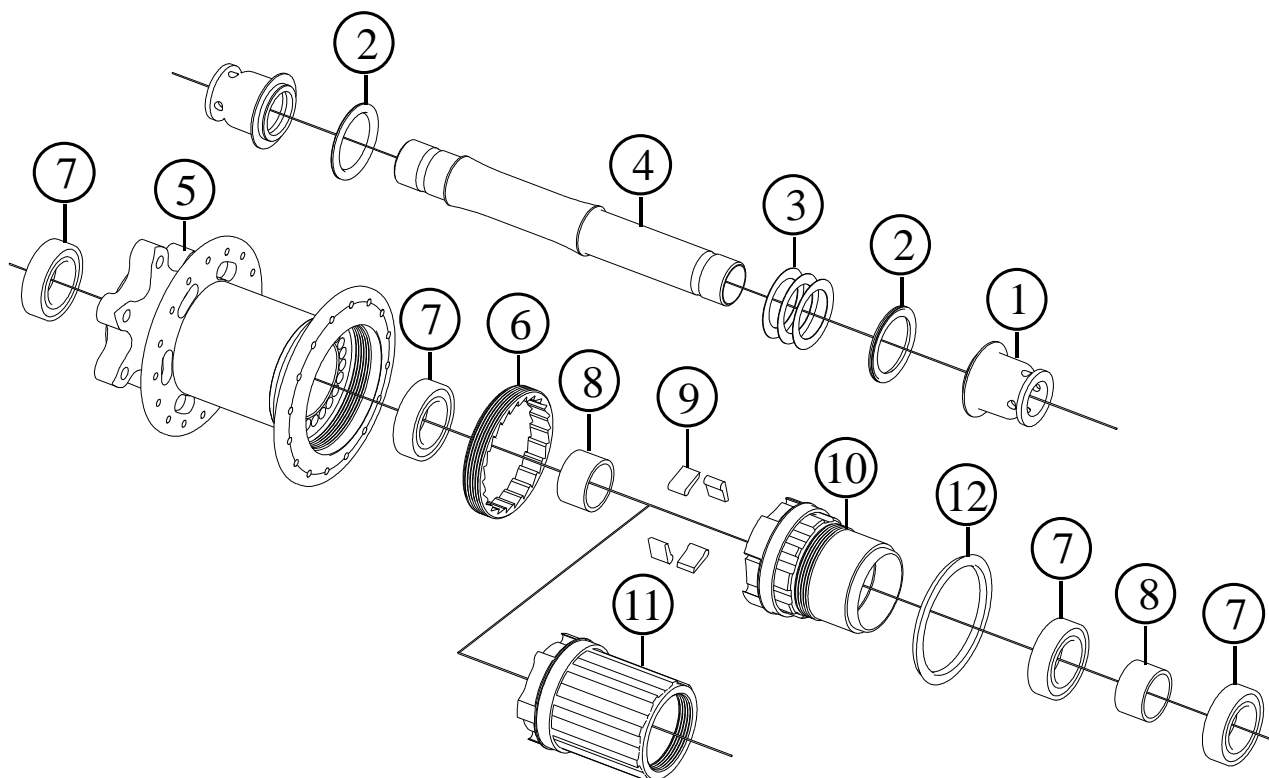


Item no.	Code	DESCRIPTION	Price €
1	RHTET12	Axle Cap Ends X12 (142 x12mm). L&R. Compatible with Lip Seals.	Set of 2 pcs 22,0 set
2	SE1952615VC	Rubber Lip Seal 19,5 x 26 x 1,5mm	Set of 2 pcs 3,40 set
3	SW1521015	Steel washer: 15 x 21 x 0,15 mm	Set of 10 pcs 1,0 set
4	RHMBRAX	Axle dia. 15mm for 12x148 Boost Frames. Length 129mm. Light Alloy. Hard Anodised	30,0
5	RHMB28	Meteor Boost 12x148mm Hub Body /Alloy 28H	90,0
5	RHMB32	Meteor Boost 12x148mm Hub Body /Alloy 32H	90,0
6	RHURTITR	Teethed Ring in Titanium	45,0
7	MR1526	Enduro Bearing 15 x 26 x 7mm ABEC5 61803 2RS	4pcs 9,4 /pc
8	RHVRFWFS	Freewheel Spacers 15 x 17,7 x 10,5mm / Light Alloy	Set of 2 4,0
9	RHVRFWP	Freewheel Big Pawls in High Steel + Coil Spring	Set of 4 pcs 20,0 set
10	GUBPXX1	Big Pawl Freewheel Body for Sram XD 11s cassettes. Light Alloy	35,0
11	GUBP10S	Big Pawl Freewheel Body for 9-10-11s MTB Shimano cassettes . Light Alloy	35,0
12	SE3744525VG	Rubber Lip Seal SE 37 x 44,5 x 2,5 VG	4,0

Specifications are subject to change without notice

Rear Hub for MTB
TITAN CARBON
(Enduro – Boost – DH)

2016

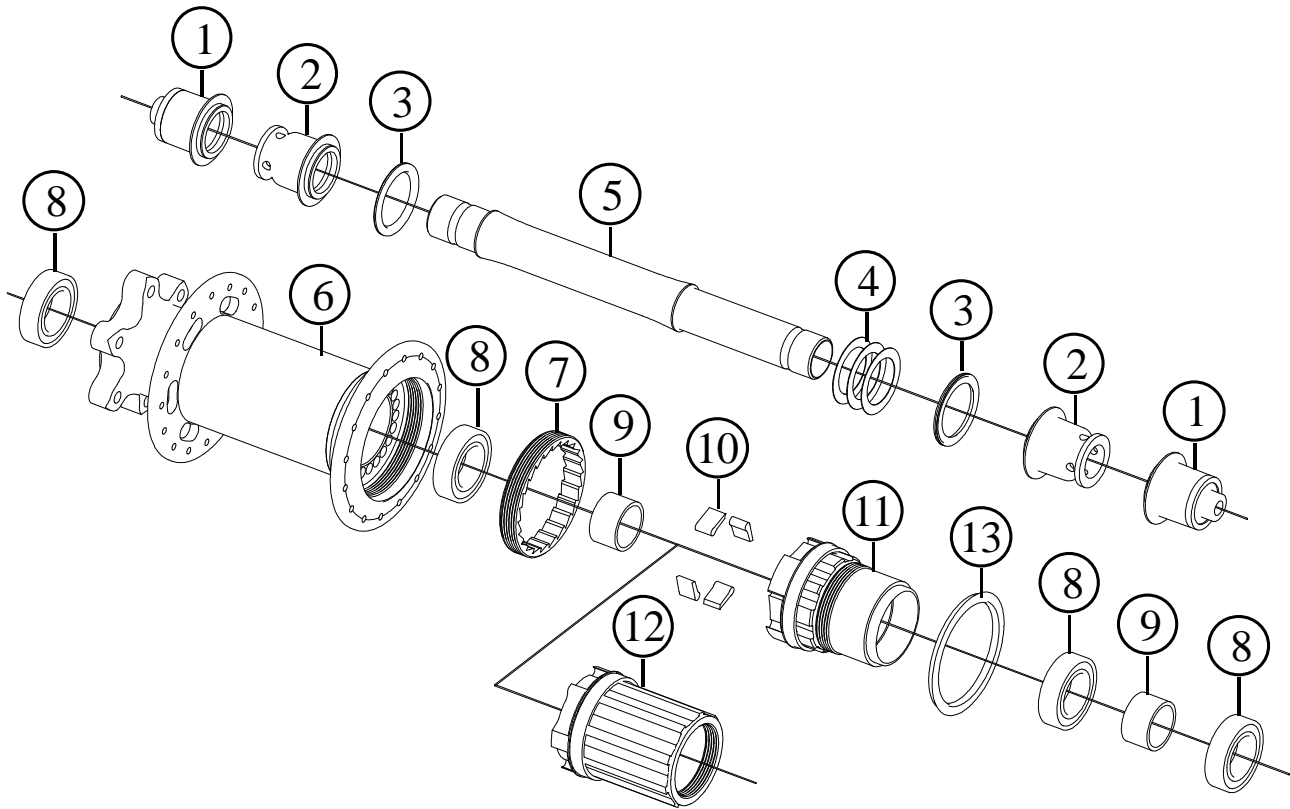


Item no.	Code	DESCRIPTION		Price €
1	RHTET12	Axle Cap Ends X12 (142 x12mm). L&R. Compatible with Lip Seals.	Set of 2 pcs	22,0 set
2	SE1952615VC	Rubber Lip Seal 19,5 x 26 x 1,5mm	Set of 2 pcs	3,40 set
3	SW1521015	Steel washer: 15 x 21 x 0,15mm	Set of 10 pcs	1,0 set
4	RHMRAX	Axle dia. 15mm for 12x142 Frames. Length 123mm. Light Alloy. Hard Anodised		30,0
4	RHMBRAX	Axle dia. 15mm for 12x148 Boost Frames. Length 129mm. Light Alloy. Hard Anodised		30,0
4	RHDHRAX	Axle dia. 15mm for 12x150 DH Frames. Length 138mm. Light Alloy. Hard Anodised		30,0
5	RHTE32	Titan Carbon Enduro 12x142mm Hub Body 32H		125,00
5	RHTEB32	Titan Carbon Boost 12x148mm Hub Body 32H		135,00
5	RHTDH32	Titan Carbon DH 12x150mm Hub Body 32H		135,00
6	RHURSTR	Teethed Ring in Steel		20,0
7	MR1526	Enduro Bearing 15 x 26 x 7mm ABEC5 61803 2RS	4pcs	9,4 /pc
8	RHVRFS	Freewheel Spacers 15 x 17,7 x 10,5mm. Light Alloy	Set of 2	4,0
9	RHVRFWP	Freewheel Big Pawls in High Steel + Coil Spring	Set of 4 pcs	20,0 set
10	GUBPXX1	Big Pawl Freewheel Body for Sram XD 11s cassettes. Light Alloy		35,0
11	GUBP10S	Big Pawl Freewheel Body for 9-10-11s MTB Shimano cassettes . Light Alloy		35,0
12	SE3744525VG	Rubber Lip Seal SE 37 x 44,5 x 2,5 VG		4,0

Specifications are subject to change without notice

Rear Hub for MTB
TITAN CARBON FAT

2016

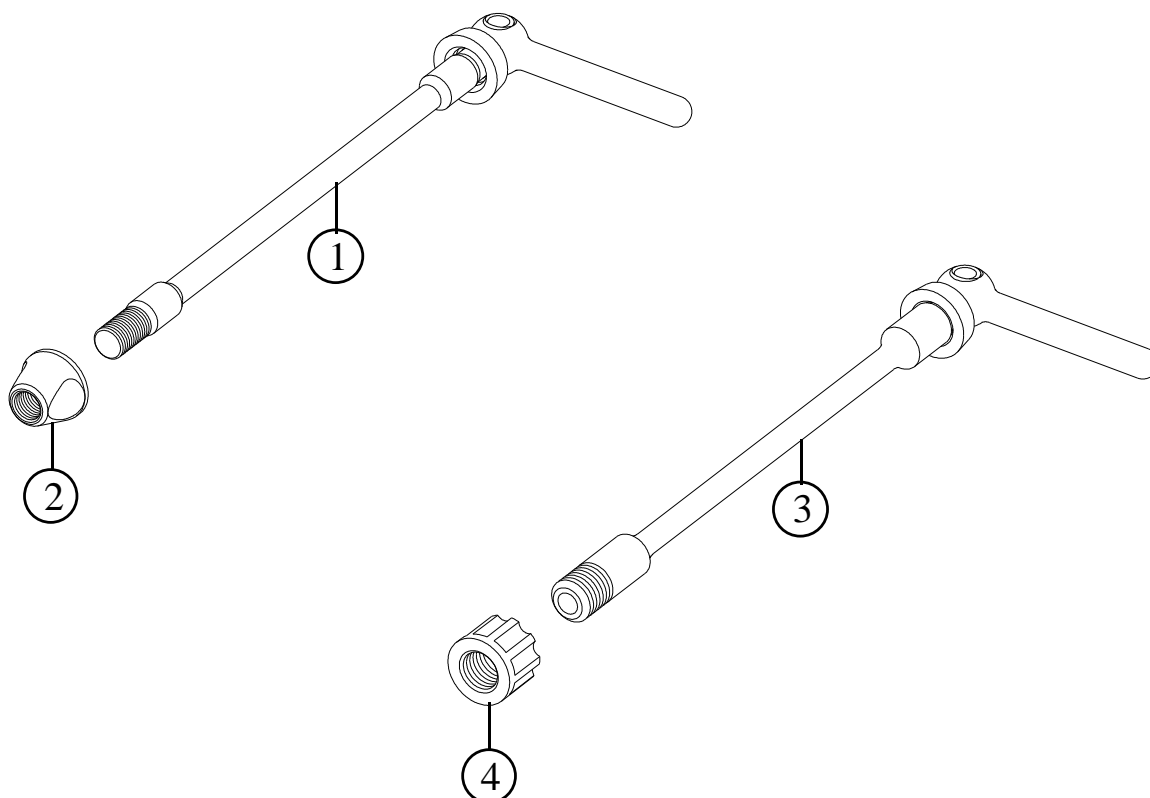


Item no.	Code	DESCRIPTION		Price €
1	RHTET05	Axle Cap Ends for 5mm Quick Release. L&R. Compatible with Lip Seals	Set of 2 pcs	22,0 set
2	RHTET12	Axle Cap Ends X12 (142 x12mm). L&R. Compatible with Lip Seals.	Set of 2 pcs	22,0 set
3	SE1952615VC	Rubber Lip Seal 19,5 x 26 x 1,5mm	Set of 2 pcs	3,40 set
4	SW1521015	Steel washer: 15 x 21 x 0,15mm	Set of 10 pcs	1,0 set
5	RH170RAX	Axle dia. 15mm. For 170 / 177mm locknut. Length 158mm. Light Alloy. Hard Anodised		30,0
5	RH190RAX	Axle dia. 15mm. For 190 / 197mm locknut. Length 178mm. Light Alloy. Hard Anodised		30,0
6	RHTF170	Titan Carbon Fat 170/177mm Hub Body. 32H		135,00
6	RHTF197	Titan Carbon Fat 190/197mm Hub Body . 32H		140,00
7	RHURSTR	Teethed Ring in Steel		20,0
8	MR1526	Enduro Bearing 15 x 26 x 7mm ABEC5 61803 2RS	4pcs	9,4 /pc
9	RHVRFWS	Freewheel Spacers 15 x 17,7 x 10,5mm / Light Alloy	Set of 2 pcs	4,0
10	RHVRFWP	Freewheel Big Pawls in High Steel + Coil Spring	Set of 4 pcs	20,0 set
11	GUBPXX1	Big Pawl Freewheel Body for Sram XD 11s cassettes. Light Alloy		35,0
12	GUBP10S	Big Pawl Freewheel Body for 9-10-11s MTB Shimano cassettes . Light Alloy		35,0
13	SE3744525VG	Rubber Lip Seal SE 37 x 44,5 x 2,5 VG		4,0

Specifications are subject to change without notice

Quick Release
TASK Team
TASK E-Thru

2016

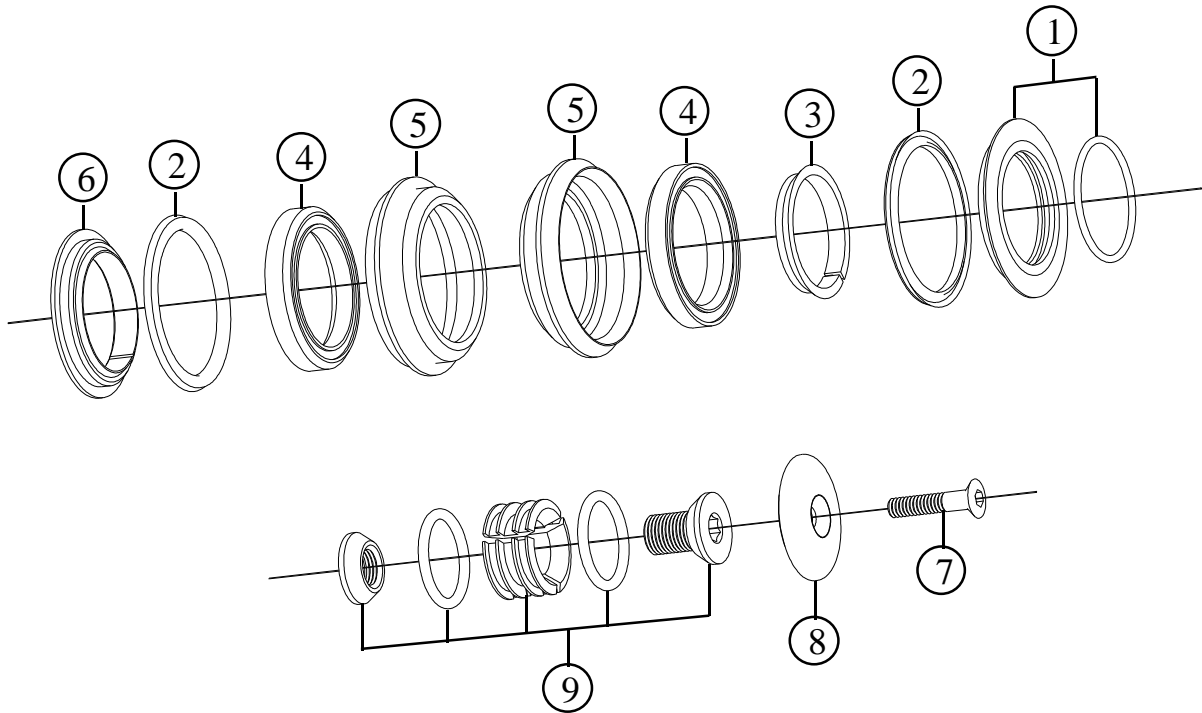


Item no.	Code	DESCRIPTION	Price €
1	QRTTFRD	Task Team Front. Axle 9mm dia.. Red, Black Lever	28,0
1	QRTTR	Task Team Rear. Axle 10mm dia.. Red, Black Lever	32,0
2	QR00D	Nut for Task Team. Front or Rear	4,0
3	QRTTETR	Task Team E-Thru (Rear). Axle 12mm dia.	39,0
4	QR00ET	Nut for Task Team E-Thru	4,0

Specifications are subject to change without notice

Head Set
D-SET ZS 1 1/8"
 (S.H.I.S. ZS44/28,6 | ZS44/30)

2016



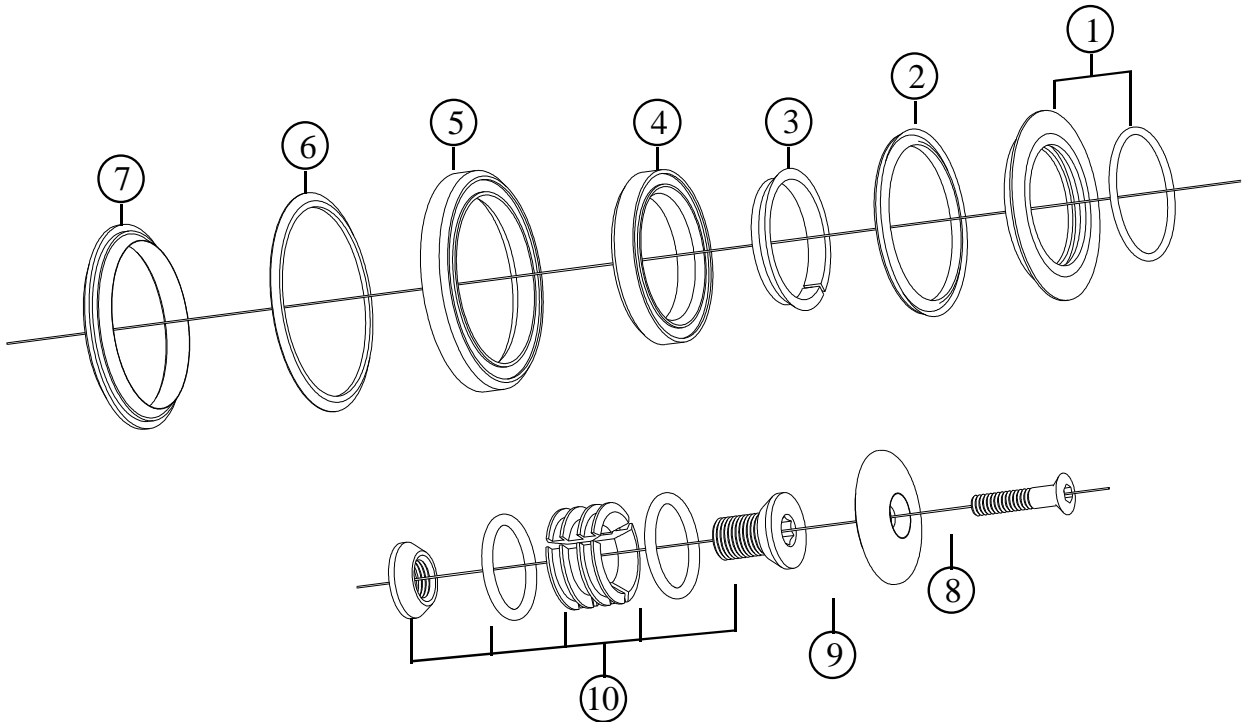
1 1/8" EXPANDER-PLUG TEAM

Item no.	Code	DESCRIPTION	Price €
1	HSDSUCABLK	Upper Head Cone Assembly with O-Ring 2112 (ID 28,30 x 1,78mm) Black anodised	7,0
1	HSDSUCARD	Upper Head Cone Assembly with O-Ring 2112 (ID 28,30 x 1,78mm) Red anodised	7,0
2	SE3744525VG	Rubber Lip Seal SE 37x44,4x2,5 VG (2pcs)	4,0
3	HSC202	Upper Head Split Cone / Light Alloy	3,0
4	ACB4136	Bearing Enduro ABC 36°x45° 30,15 x 41 x 6,5mm	13,3
5	HSDSOZBCBL	Lower or Upper Zero Stack Head Cup Housing for 41mm Outer Dia. Bearing / Black anodised	7,00 pc
6	HSDSLHC	Lower Head Cone for 1 1/8" Forks	5,00
7	TIM5X25	Bolt for play adjustment M5 x 25mm. Cone-Head / Titanium. Gold plated	10,3
8	EP201TBLK	Cap / Light Alloy / Black anodised	6,0
8	EP201TRD	Cap / Light Alloy / Red anodised	6,0
9	EP200	Expander-Plug assembly	8,0 set

Specifications are subject to change without notice

Head Set
D-SET 1,5" Taper IS
 (S.H.I.S. IS41/28,6 | IS52/40)

2016



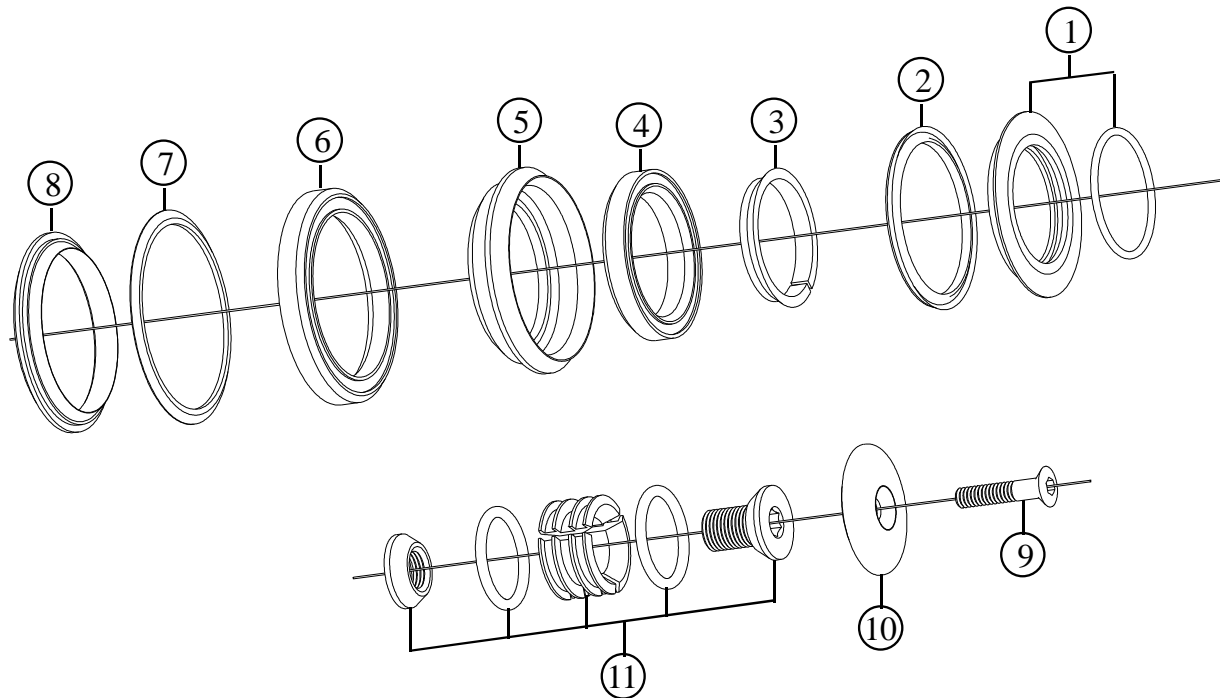
1 1/8" EXPANDER-PLUG TEAM

Item no.	Code	DESCRIPTION	Price €
1	HSDSUCABLK	Upper Head Cone Assembly with O-Ring 2112 (ID 28,30 x 1,78mm) Black anodised	7,0
1	HSDSUCARD	Upper Head Cone Assembly with O-Ring 2112 (ID 28,30 x 1,78mm) Red anodised	7,0
2	SE3744525VG	Rubber Lip Seal SE 37x44,4x2,5VG	4,0
3	HSC202	Upper Head Split Cone / Light Alloy	3,0
4	ACB4136	Bearing Enduro ABC 36°x 45° 30,15 x 41 x 6,5mm	13,3
5	ACB5236	Bearing Enduro ACB 36°x 45° 40 x 52 x 6,5mm	17,0
6	SE45525VG	Rubber Lip Seal SE 52x45x2,5VG	4,0
7	HSE2SLHC15	Lower Head Cone for 1,5" Forks	8,0
8	TIM5X25	Bolt for play adjustment M5 x 25mm. Cone-Head / Titanium. Gold plated	10,3
9	EP201BLK	Cap / Light Alloy / Black anodised	6,0
9	EP201TRD	Cap / Light Alloy / Red anodised	6,0
11	EP200	Expander-Plug assembly	8,0 set

Specifications are subject to change without notice

Head Set
D-SET 1,5" Taper ZS/IS
 (S.H.I.S. ZS44/28,6 | IS52/40)

2016



1 1/8" EXPANDER-PLUG TEAM

Item no.	Code	DESCRIPTION	Price €
1	HSDSUCABLK	Upper Head Cone Assembly with O-Ring 2112 (ID 28,30 x 1,78mm) Black anodised	7,0
1	HSDSUCARD	Upper Head Cone Assembly with O-Ring 2112 (ID 28,30 x 1,78mm) Red anodised	7,0
2	SE3744525VG	Rubber Lip Seal SE 37x44,4x2,5VG	4,0
3	HSC202	Upper Head Split Cone / Light Alloy	3,0
4	ACB4136	Bearing Enduro ABC 36°x45° 30,15 x 41 x 6,5mm	13,3
5	HSDSOZBCBLK	Upper Zero Stack Head Cup Housing for 41mm Outer Dia. Bearing / Black anodised	7,00
6	ACB5236	Bearing Enduro ACB 36°x 45° 40 x 52 x 6,5mm	17,0
7	SE45525VG	Rubber Lip Seal SE 52x45x2,5VG	4,0
8	HSE2SLHC15	Lower Head Cone for 1,5" Forks	8,0
9	TIM5X25	Bolt for play adjustment M5 x 25mm. Cone-Head / Titanium. Gold plated	10,3
10	EP201TBLK	Cap / Light Alloy / Black anodised	6,0
10	EP201TRD	Cap / Light Alloy / Red anodised	6,0
11	EP200	Expander-Plug assembly	8,0 set

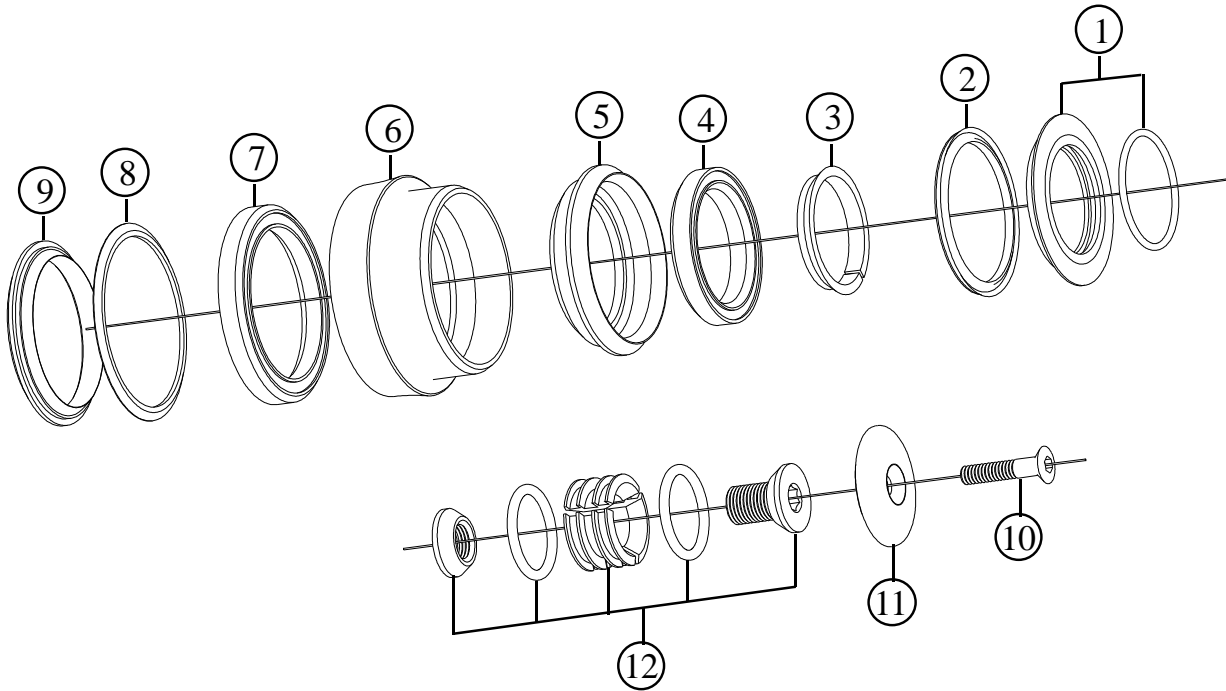
Specifications are subject to change without notice

Head Set

D-SET 1,5" Taper 49
(S.H.I.S. ZS44/28,6 | EC49/40)
D-SET 1,5" Taper 44
(S.H.I.S. ZS44/28,6 | EC44/40)



2016



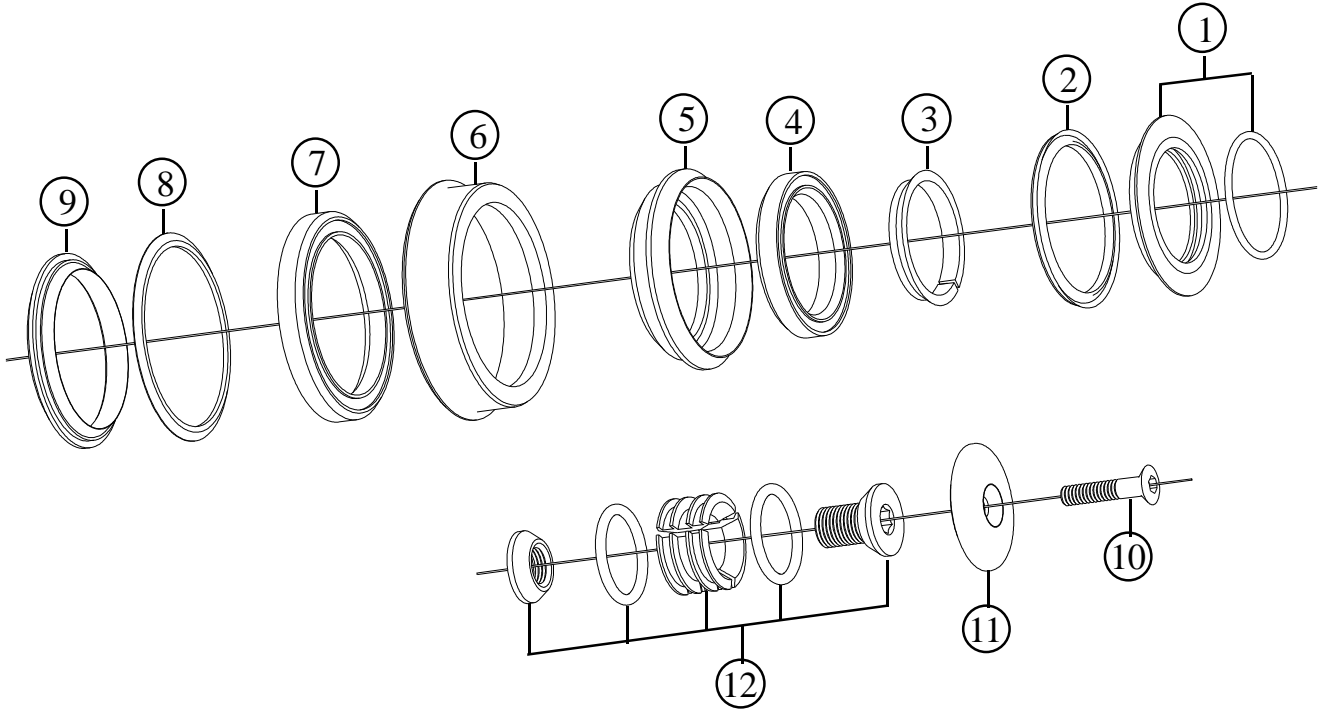
1 1/8" EXPANDER-PLUG TEAM

Item no.	Code	DESCRIPTION	Price €
1	HSDSUCABLK	Upper Head Cone Assembly with O-Ring 2112 (ID 28,30 x 1,78mm) Black anodised	7,0
1	HSDSUCARD	Upper Head Cone Assembly with O-Ring 2112 (ID 28,30 x 1,78mm) Red anodised	7,0
2	SE3744525VG	Rubber Lip Seal SE 37x44,4x2,5VG	4,0
3	HSC202	Upper Head Split Cone / Light Alloy	3,0
4	ACB4136	Bearing Enduro ABC 36°x45° 30,15 x 41 x 6,5mm	13,3
5	HSDSOZBCBLK	Upper Zero Stack Head Cup Housing for 41mm Outer Dia. Bearing / Black anodised	7,00
6	HSDSEC1549	Lower External Head Cup Housing for 52mm Outer Dia. Bearing / 49,6mm frame bore	15,0
6	HSDSEC1544	Lower External Head Cup Housing for 52mm Outer Dia. Bearing / 44mm frame bore	15,0
7	ACB5236	Bearing Enduro ACB 36°x 45° 40 x 52 x 6,5mm	17,0
8	SE45525VG	Rubber Lip Seal SE 52x45x2,5VG	4,0
9	HSE2SLHC15	Lower Head Cone for 1,5" Forks	8,0
10	TIM5X25	Bolt for play adjustment M5 x 25mm. Cone-Head / Titanium. Gold plated	10,3
11	EP201BLK	Cap / Light Alloy / Black anodised	6,0
11	EP201TRD	Cap / Light Alloy / Red anodised	6,0
12	EP200	Expander-Plug assembly	8,0 set

Specifications are subject to change without notice

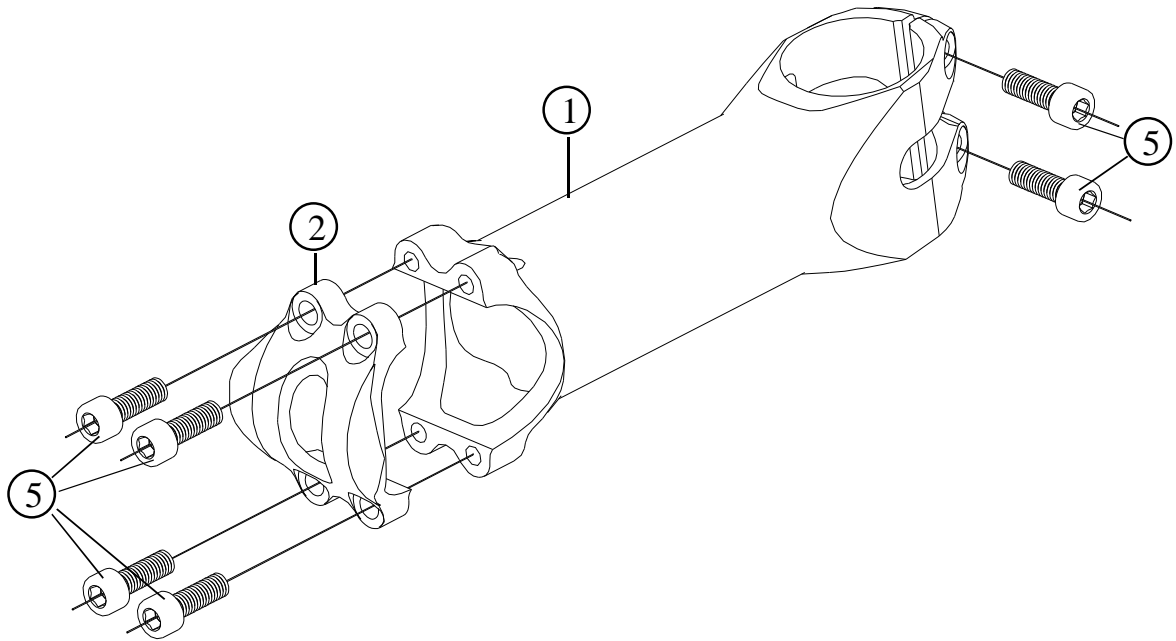
Head Set
D-SET 1,5" Taper ZS
 (S.H.I.S. ZS44/28,6 | ZS56/40)

2016

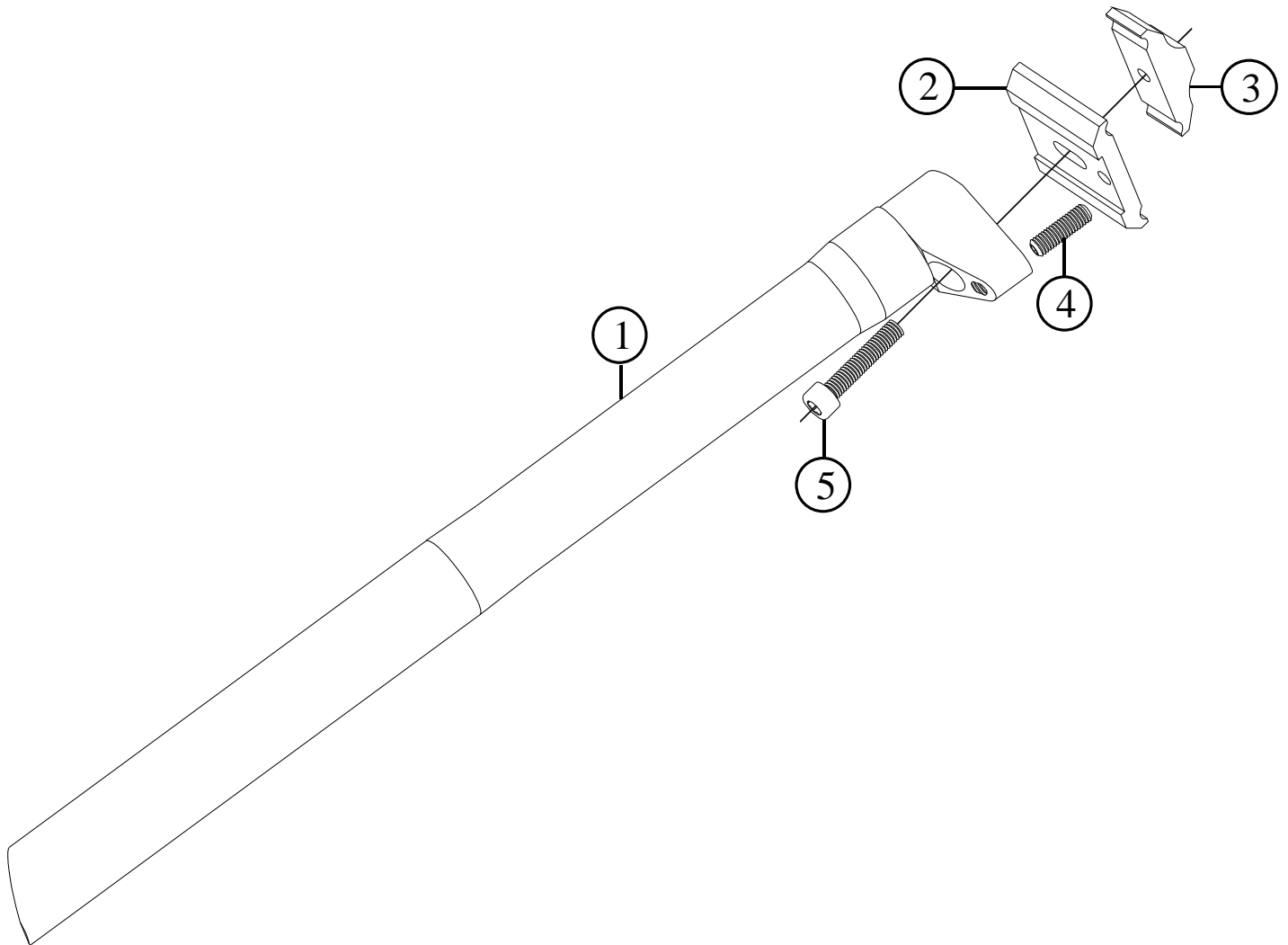


1 1/8" EXPANDER-PLUG TEAM

Item no.	Code	DESCRIPTION	Price €
1	HSDSUCABLK	Upper Head Cone Assembly with O-Ring 2112 (ID 28,30 x 1,78mm) Black anodised	7,0
1	HSDSUCARD	Upper Head Cone Assembly with O-Ring 2112 (ID 28,30 x 1,78mm) Red anodised	7,0
2	SE3744525VG	Rubber Lip Seal SE 37x44,4x2,5VG	4,0
3	HSC202	Upper Head Split Cone / Light Alloy	3,0
4	ACB4136	Bearing Enduro ABC 36°x45° 30,15 x 41 x 6,5mm	13,3
5	HSDSOZBCBLK	Upper Zero Stack Head Cup Housing for 41mm Outer Dia. Bearing / Black anodised	7,00
6	HSDSTH1556	Lower Zero Stack Head Cup Housing for 52mm Outer Dia. Bearing / 56mm frame bore	15,0
7	ACB5236	Bearing Enduro ACB 36°x 45° 40 x 52 x 6,5mm	17,0
8	SE45525VG	Rubber Lip Seal SE 52x45x2,5VG	4,0
9	HSE2SLHC15	Lower Head Cone for 1,5" Forks	8,0
10	TIM5X25	Bolt for play adjustment M5 x 25mm. Cone-Head / Titanium. Gold plated	10,3
11	EP201TBLK	Cap / Light Alloy / Black anodised	6,0
11	EP201TRD	Cap / Light Alloy / Red anodised	6,0
12	EP200	Expander-Plug assembly	8,0 set



Item no.	Code	DESCRIPTION	Price €
1	HSSH70	Light alloy Stem Shaft 70mm (Black)	76,0
1	HSSH80	Light alloy Stem Shaft 80mm (Black)	76,0
1	HSSH90	Light alloy Stem Shaft 90mm (Black)	76,0
1	HSSH100	Light alloy Stem Shaft 100mm (Black)	76,0
1	HSSH110	Light alloy Stem Shaft 110mm (Black)	76,0
2	HSSCN	Stem Cap / Black	20,0
2	HSSCR	Stem Cap / Red	20,0
5	TIM5X15	Allen Bolt M5x15 / Titanium - Gold Plated	6pcs 9,2 /pc



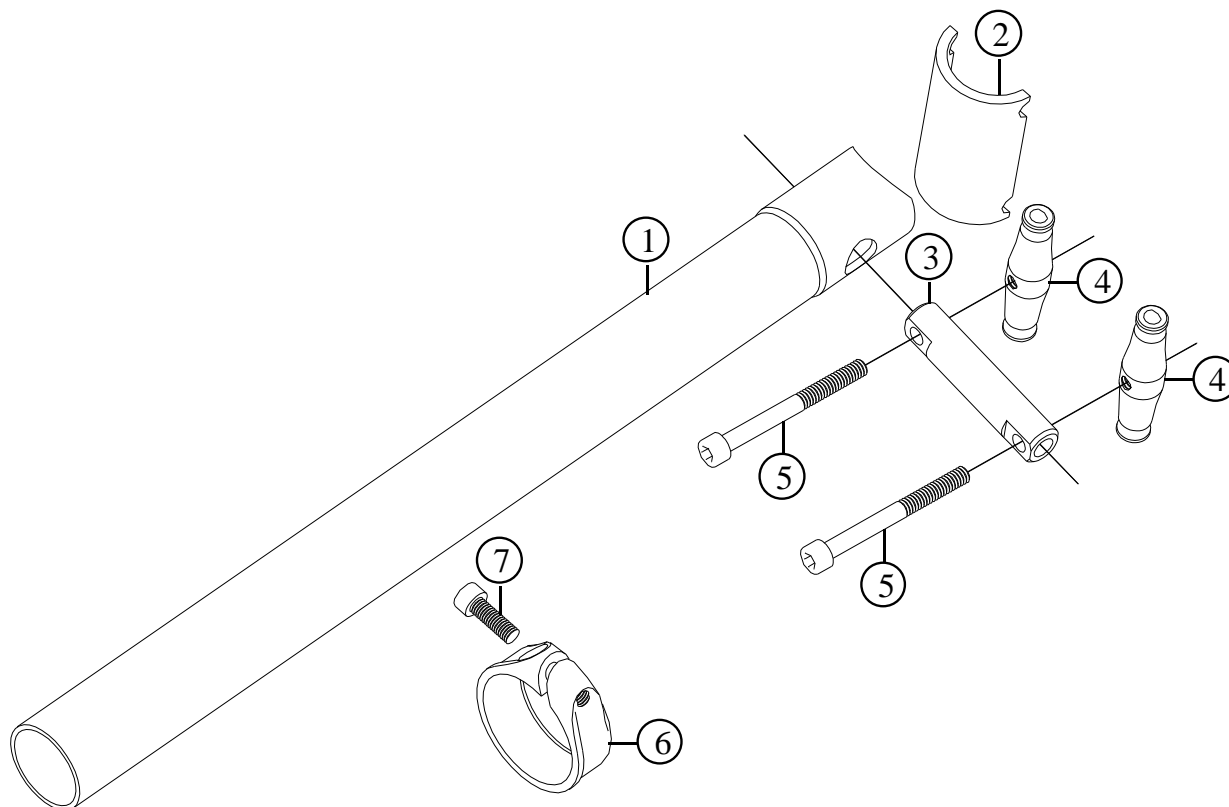
Item no.	Code	DESCRIPTION	Price €
1	STM11C272	Light alloy shaft. 27,2 x 410mm	65,0
1	STM11C309	Light alloy shaft. 30,9 x 370mm	65,0
1	STM11C316	Light alloy shaft. 31,6 x 410mm	65,0
2	STOS02	Rails Platform / Light Alloy	20,0
3	STOS03	Rails Clamp (Black anodised)	15,0
5	TCC640	Allen Bolt M6 x 40mm + semisphere	6,0

Seatpost for MTB

ST-M10 Ti. 27,2 x 400
ST-M10 Ti. 30,9 x 350
ST-M10 XL Ti. 30,9 x 400
ST-M10 XL Ti. 31,6 x 400

FRM 
 BIKETECHNOLOGY

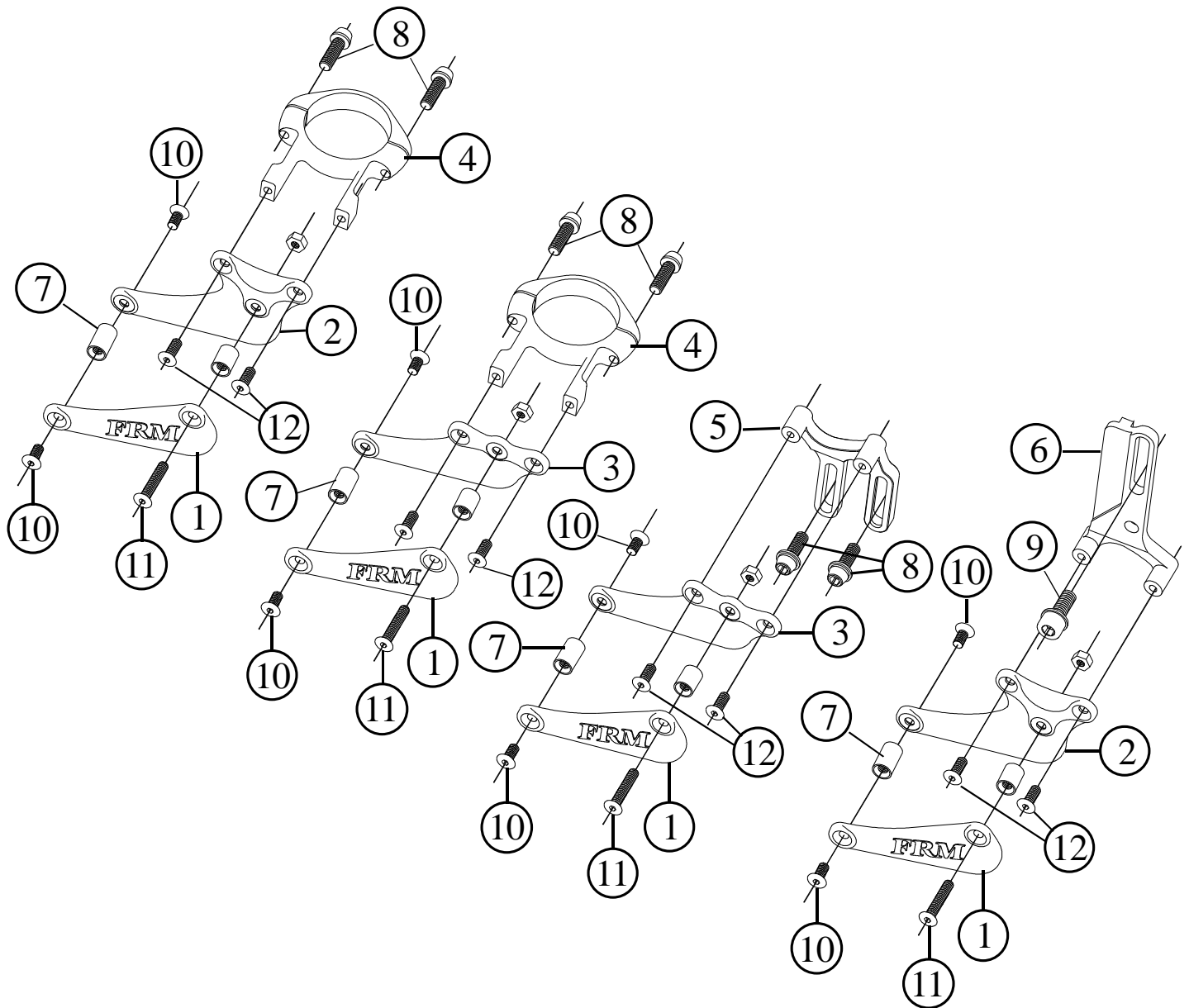
2016



Item no.	Code	DESCRIPTION	Price €
1	STM101B4	Light Alloy Post 27,2 x 400mm	70,0
1	STM101C	Light Alloy Post 30,9 x 350mm . Externally double butted	60,0
1	STM101D4	Light Alloy Post 31,6 x 400mm . Externally double butted	70,0
1	STM101C4	Light Alloy Post 30,9 x 400mm . Externally double butted	70,0
2	STM102RD	Rails Cradle. Light Alloy. Red anodised	8,0
2	STM102BLK	Rails Cradle. Light Alloy. Black anodised	8,0
3	STM103T	Pin for Titanium bolts. Black anodised	7,0
4	STM104T	Rail Clamp for M6 Titanium Bolts	Set of 2pcs 2pcs
5	TCC558T	Allen Bolt M6 x 50mm in Titanium – Gold Plated. Special design	14,0 set 16,1 /pc
6	STAC35	SC35 Seat Clamp. 34,9mm dia Black, Red anodised. Without Bolt	13,0
6	STAC32	SC32 Seat Clamp. 31,6mm dia Black, Red anodised. Without Bolt	13,0
7	TIM5X15	Allen Bolt M5 x 15 / Titanium – Gold Plated	9,2

Specifications are subject to change without notice

2016



Item no.	Code	DESCRIPTION	Price €
1	KCUCOP	Outer Plate in Carbon Fibre with FRM Logo	25,0
2	KCHCHIP	High Inner Plate in Carbon Fibre	25,0
3	KCUCLIP	Low Inner Plate in Carbon Fibre	25,0
4	KCUCO	Collar. Set of two pieces in Light Alloy. 34,9mm inner dia.	28,0
5	KCUS3A	Direct-Mount S3 Adaptor in Light Alloy	28,0
6	KCHHMA	High Direct-Mount Adaptor in Light Alloy	28,0
7	KCHPS	Plate Spacers. Set of two pieces in Light Alloy	Set of 2 pcs 3,2
8	TIM5X12	Allen Bolt M5 x 12. Titanium - Gold Plated	2pcs 8,8 /pc
9	TIM6X15	Allen Bolt M6 x 15. Titanium - Gold Plated	8,0
10	TIM4X9	Cone Head Bolt M4 x 9mm. Titanium - Gold plated	2pcs 8,9 /pc
11	TIM4X22	Cone Head Bolt M4 x 22mm. Titanium - Gold plated	10,7
12	TIM4X11	Cone Head Bolt M4 x 11mm. Titanium - Gold plated	2pcs 9,3 /pc

Specifications are subject to change without notice



Via Mattei 18/a
48025 Riolo Terme (RA)
Italy
tel. +39 0546 70310
fax +39 0546 74623
e-mail: info@frmbike.com
Ordini Italia: ordini@frmbike.biz
Foreign orders: orders@frmbike.com

www.frmbike.com